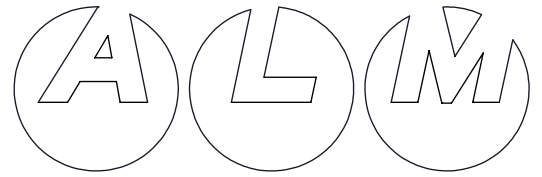


Secant 50

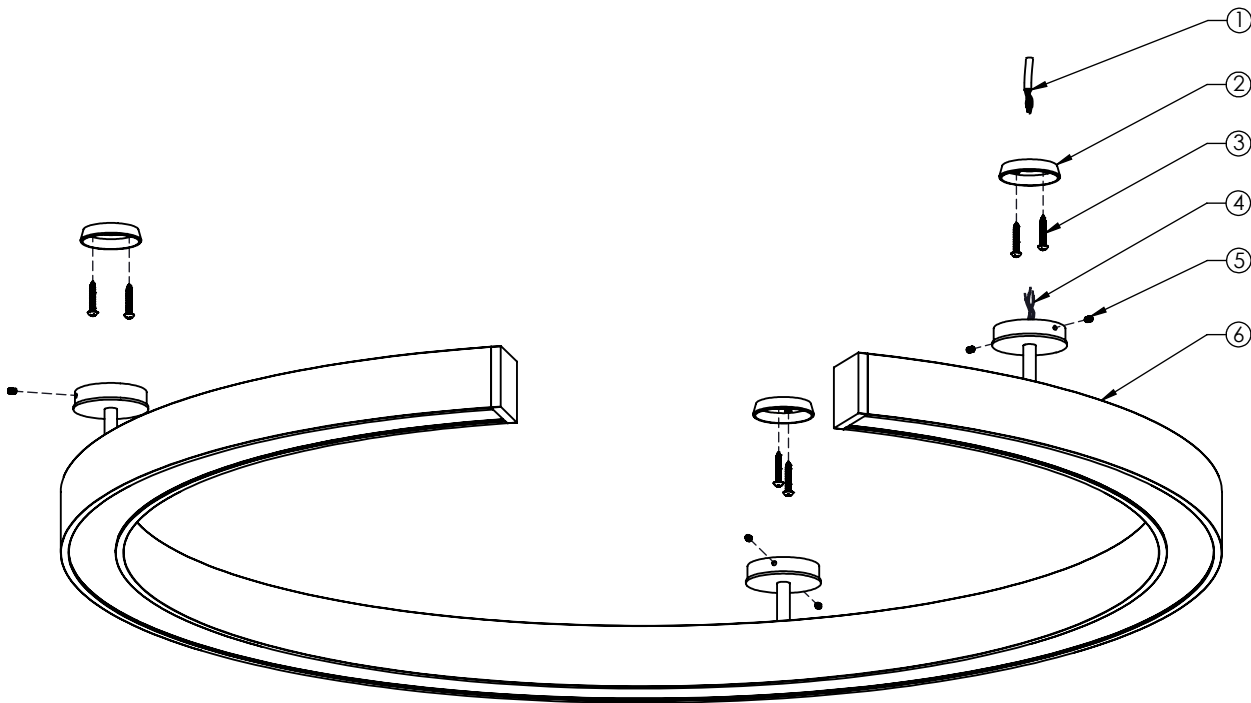
SURFACE - STEM

INSTALLATION INSTRUCTIONS



NOTE:
See cut sheet for power feed entry point(s).

1	Power feed (by others)
2	Mounting cup
3	Mounting hardware (provided)
4	Fixture power wires
5	Fixture assembly mounting set screws
6	Fixture assembly



INSTRUCTIONS:

1. Unscrew the fixture assembly mounting set screws and remove mounting cups.
2. Bring electrical power feed through the hole in the mounting cup and secure mounting cup to the ceiling / wall using hardware provided.
The mounting cups should be installed per mounting point locations noted on the cut sheet.
3. Bring the fixture assembly close to the mounting cups and splice the fixture power wires and power feed as required.
Wires for connection are clearly labeled.
4. Secure the fixture assembly into place with set screws provided.
5. Energize.

GENERAL NOTE:

- * Turn power off before beginning.
- * Do not connect to an ungrounded supply.
- * Consult a qualified electrician to ensure correct branch circuit conductor.
- * This product must be installed in accordance with the applicable installation code by a person familiar with the construction and operation of the product and the hazards involved.
- * Save these instructions.